



EMS-TECH INC.

mobile equipment and bulk material handling engineers

ELECTRICAL POWER DISTRIBUTION

Transforming Engineering Into Productivity

Experienced Personnel

EMS-Tech Inc.'s power distribution group consists of experienced engineers and technologists skilled in both traditional and the most recent distribution technology in the industry. Over the years, EMS-Tech Inc has developed first-class electrical installations that comply with the highest standards.

Our global services encompass all stages of a project:

- ❖ Feasibility studies
- ❖ Technical Specifications
- ❖ Cost Analysis
- ❖ Design and drafting
- ❖ Detail Engineering
- ❖ Safety audits – Pre-start Health and Safety Reviews
- ❖ Site supervision
- ❖ Commissioning
- ❖ Process automation and optimization
- ❖ Training
- ❖ Maintenance audits



Technical Expertise

At EMS-Tech Inc., our technical expertise covers all facets of power distribution:

Substations

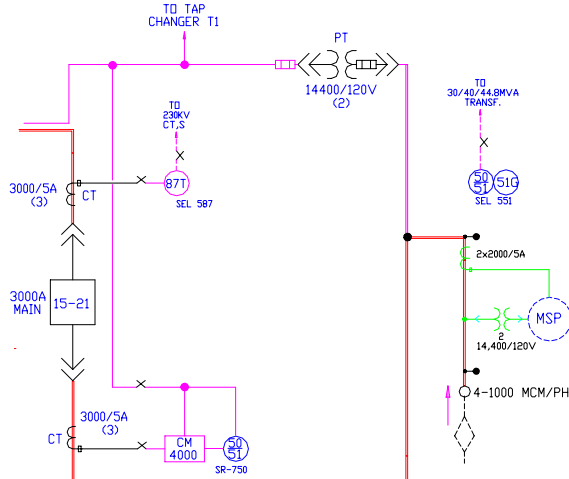
- ❖ Small to medium outdoor substation design (to 66kV)
- ❖ Protection coordination and short circuit studies
- ❖ Equipment specifications
- ❖ Protection coordination device selection

Power Distribution

- ❖ Protection coordination studies
- ❖ Load flow and short circuit studies
- ❖ Power system planning and design studies
- ❖ Medium voltage distribution system specifications and design
- ❖ Power monitoring systems and software

Motor Control Centers (MCC)

- ❖ Specifications and control design
- ❖ VFD and soft-start specifications
- ❖ MCC feeder protection and coordination
- ❖ Motor starting studies



EMS-Tech Inc., your single point source for engineering, construction and project management expertise in bulk material handling.

EMS-Tech Inc., with offices in the following locations:

CANADA

699 Dundas St. West, Belleville
Ontario, K8N 4Z2
Tel: (613) 966-6611
Fax: (613) 966-6710
Email: ems-tech@ems-tech.net

UNITED STATES

101 Virginia Avenue, Suite #2
Wilmington, NC, 28401
Tel: (910) 251-0380
Fax: (910) 251-0780
Email: ems-int@ems-tech.net

THE NETHERLANDS

Rooswijkweg 118
1951 MK Velsen-Noord
Tel: +31 251 291 340
Fax: +31 251 291 344
Email: ems-europe@ems-tech.net

website: www.ems-tech.net



EMS-TECH INC.

mobile equipment and bulk material handling engineers

ELECTRICAL POWER DISTRIBUTION

Transforming Engineering Into Productivity

Clientele

EMS-Tech Inc. offers unparalleled expertise in bulk material handling systems. In addition, we can draw from a great deal of experience in many other industrial sectors. Whether a new or existing installation, EMS-Tech's expertise will help you realize your project goals.

Sectors

- ❖ Mining
- ❖ Marine
- ❖ Land based terminals
- ❖ Power generation
- ❖ Cement
- ❖ Pulp and paper
- ❖ Food
- ❖ Water treatment



Worldwide Experience

EMS-Tech Inc. has vast experience with both marine and land based systems worldwide. We have designed and built to a broad range of regulatory requirements.



Standards & Regulations

- | | |
|--------|----------|
| ❖ ABS | ❖ ISO |
| ❖ ANSI | ❖ Lloyds |
| ❖ CEC | ❖ NEC |
| ❖ CSA | ❖ NEMA |
| ❖ DNV | ❖ NFPA |
| ❖ IEC | ❖ UL/CUL |
| ❖ IEEE | |



website: www.ems-tech.net



EMS-TECH INC.

mobile equipment and bulk
material handling engineers

ELECTRICAL POWER DISTRIBUTION

Transforming Engineering Into Productivity

Cutting Edge Technology

With a wide array of clientele and sectors serviced, EMS-Tech Inc. offers expertise with all major electrical distribution equipment manufacturers.

Outdoor Substation Equipment

- ❖ General Electric
- ❖ Westinghouse
- ❖ Cutler Hammer
- ❖ GEC Alsthom
- ❖ ABB

Distribution Switchgear

- ❖ General Electric
- ❖ Cutler Hammer
- ❖ Federal Pioneer
- ❖ Square D
- ❖ Delle Alsthom/Unelec

Unit Substations and Transformers

- ❖ General Electric
- ❖ Square D
- ❖ Westinghouse/Cutler Hammer
- ❖ Hammond
- ❖ Rex

Motor Control Centers

- ❖ General Electric
- ❖ Square D
- ❖ Allen-Bradley
- ❖ Telemecanique
- ❖ Cutler Hammer
- ❖ Moeller



Variable Speed Drives

- ❖ ABB
- ❖ Allen-Bradley
- ❖ Beel
- ❖ Reliance
- ❖ ASI/Robicon
- ❖ Square D
- ❖ General Electric

Soft Starters

- ❖ Allen-Bradley
- ❖ ABB
- ❖ Benshaw
- ❖ Siemens
- ❖ Cutler Hammer
- ❖ Square D



website: www.ems-tech.net