



**EMS-TECH INC.**

mobile equipment and bulk material handling engineers

# ELECTRICAL AUTOMATION AND CONTROL

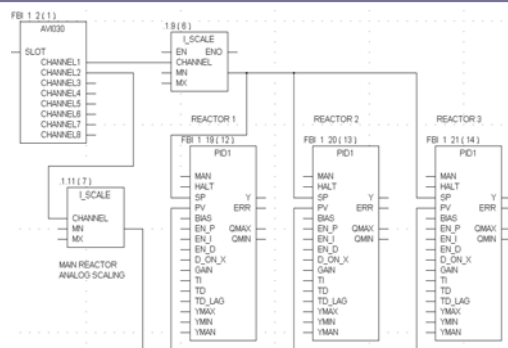
*Transforming Engineering Into Productivity*

## Experienced Personnel

EMS-Tech Inc.'s automation group consists of experienced engineers and technologists well versed in both traditional and the most recent high-technology developments occurring in the industry. Over the years, EMS-Tech Inc. has established a solid reputation as a leader in highly specialized machinery automation and control development.

### Our global services encompass all stages of a project:

- ❖ Feasibility studies
- ❖ Technical Specifications
- ❖ Cost Analysis
- ❖ Design and drafting
- ❖ Detail Engineering
- ❖ Safety audits – Pre-start Health and Safety Reviews
- ❖ Site supervision
- ❖ Commissioning
- ❖ Process automation and optimization
- ❖ Training
- ❖ Maintenance audits



## Technical Expertise

At EMS-Tech Inc., our technical expertise covers all facets of industrial automation and control:

### Process Control Systems

- ❖ PLC/DCS/PC programming
- ❖ HMI/Graphic operator interface
- ❖ Device and equipment selection
- ❖ Process simulation, optimization and loop control
- ❖ SCADA/OPC programming

### Mechanical (systems) Integration

- ❖ Mechanical design
- ❖ Load calculations and drive specifications
- ❖ Load sharing drives and automation
- ❖ Hydraulic and pneumatic power and control
- ❖ Process analysis

### Computer Technology

- ❖ Networking
- ❖ Production reporting systems and software
- ❖ Maintenance scheduling, reporting and tracking systems and software
- ❖ Process data collection and historian systems and software
- ❖ Customized software design
- ❖ Integration of shop floor information to Plant Management Systems

**EMS-Tech Inc., your single point source for engineering, construction and project management expertise in bulk material handling.**

EMS-Tech Inc., with offices in the following locations:

#### CANADA

699 Dundas St. West, Belleville  
 Ontario, K8N 4Z2  
 Tel: (613) 966-6611  
 Fax: (613) 966-6710  
 Email: [ems-tech@ems-tech.net](mailto:ems-tech@ems-tech.net)

#### UNITED STATES

101 Virginia Avenue, Suite #2  
 Wilmington, NC, 28401  
 Tel: (910) 251-0380  
 Fax: (910) 251-0780  
 Email: [ems-int@ems-tech.net](mailto:ems-int@ems-tech.net)

#### THE NETHERLANDS

Rooswijkweg 118  
 1951 MK Velsen-Noord  
 Tel: +31 251 291 340  
 Fax: +31 251 291 344  
 Email: [ems-europe@ems-tech.net](mailto:ems-europe@ems-tech.net)

website: [www.ems-tech.net](http://www.ems-tech.net)



**EMS-TECH INC.**

mobile equipment and bulk  
material handling engineers

# ELECTRICAL AUTOMATION AND CONTROL

*Transforming Engineering Into Productivity*

## Clientele

EMS-Tech Inc. offers unparalleled expertise in bulk material handling systems. In addition, we can draw from a great deal of experience in many other industrial sectors. Whether a new or existing installation, EMS-Tech's expertise will help you realize your project goals.

## Sectors

- ❖ Mining
- ❖ Marine
- ❖ Land based terminals
- ❖ Power generation
- ❖ Cement
- ❖ Pulp and paper
- ❖ Food
- ❖ Water treatment



## Worldwide Experience

EMS-Tech Inc. has vast experience with both marine and land based systems worldwide. We have designed and built to a broad range of regulatory requirements.

## Standards & Regulations

- |        |          |
|--------|----------|
| ❖ ABS  | ❖ ISO    |
| ❖ ANSI | ❖ Lloyds |
| ❖ CEC  | ❖ NEC    |
| ❖ CSA  | ❖ NEMA   |
| ❖ DNV  | ❖ NFPA   |
| ❖ IEC  | ❖ UL/CUL |
| ❖ IEEE |          |



website: [www.ems-tech.net](http://www.ems-tech.net)



**EMS-TECH INC.**

mobile equipment and bulk  
material handling engineers

# ELECTRICAL AUTOMATION AND CONTROL

*Transforming Engineering Into Productivity*

## Cutting Edge Technology

With a wide array of clientele and sectors serviced, EMS-Tech Inc. offers expertise with all major automation equipment manufacturers.

### Distributed Control Systems

- ❖ Bailey
- ❖ Honeywell
- ❖ Foxboro

### PLC's

- ❖ Allen-Bradley
- ❖ Modicon
- ❖ Square D
- ❖ GE-Fanuc
- ❖ Siemens
- ❖ Omron
- ❖ Telemecanique

### Operator Interface

- ❖ Wonderware
- ❖ Intellution
- ❖ RS View/ControlView/PanelView
- ❖ Panelmate
- ❖ WinCC
- ❖ CIMplicity
- ❖ MS Visual Basic
- ❖ Infilink

### Network Technology

- ❖ Ethernet
- ❖ Data Highway Plus (DH+)
- ❖ Profibus
- ❖ Fieldbus
- ❖ DeviceNet
- ❖ Modbus/Modbus Plus
- ❖ Genius
- ❖ ASI
- ❖ Hart
- ❖ Radio telemetry

### Variable Speed Drives

- ❖ ABB
- ❖ Allen Bradley
- ❖ Beel
- ❖ Reliance
- ❖ ASI/Robicon
- ❖ Siemens
- ❖ Square D



website: [www.ems-tech.net](http://www.ems-tech.net)